

15S420

Ultra Low Distortion Low Midrange Driver

Ultra low distortion series

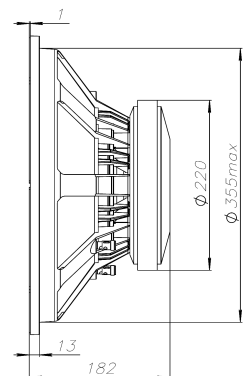
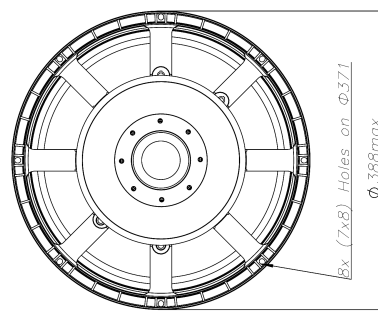


Features:

- 98dB sensitivity 1W/1m
- 900W Power handling
- 4" copper sandwich voice coil for low power compression
- Double treated cone for water protection
- Triple aluminium demodulating rings for ultra low distortion
- Optimal for compact 2- or 3-way systems

SPECIFICATIONS

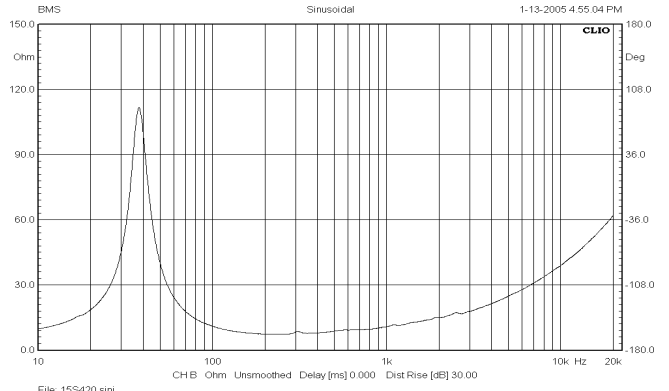
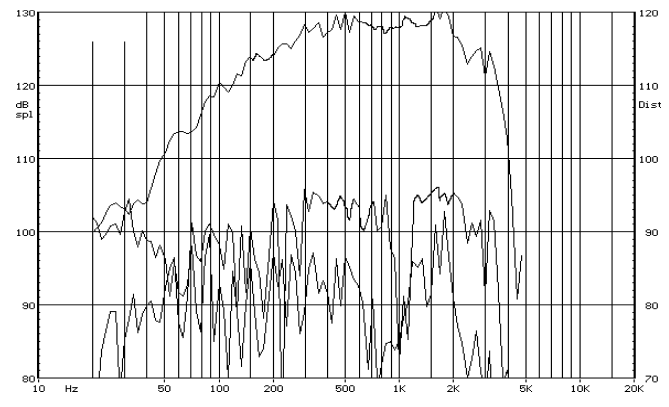
APPLICATION	2- or 3-way systems	
Nominal impedance	Ohm	8
Power handling AES noise	W	900
Sensitivity (1W/1m)	dB	98
Frequency response	Hz	40 - 2500
Voice coil diameter	mm	101.6 (4")
Voice coil material		Cu
Voice coil winding depth	mm	20
Magnet gap depth	mm	10
Basket		Cast Aluminium
Effect. diaphragm diameter D	mm	335



THIELE - SMALL PARAMETERS			
Resonance frequency	Fs	Hz	39.8
DC resistance	Re	Ohm	5.90
Mechanical Q factor	Qms		4.96
Electrical Q factor	Qes		0.26
Total Quality factor	Qts		0.25
Equivalent volume	Vas	L	152
Moving mass	Mms	kg	0.114
Mechanical compl.	Cms	mm/N	0.140
BL factor	BL	Tesla m	25.5
Effective piston area	Sd	m ²	0.0880
Max. linear excursion	Xmax	mm	± 5
Voice coil inductance	Le1k	mH	1.54
	Le10k	mH	0.63

MOUNTING INFORMATION		
Overall diameter	mm	388
Mounting holes diameter	mm	8 x (7 x 8)
Bolt circle diameter	mm	371
Baffle cut-out diameter	mm	358
Overall depth	mm	182
Net weight	kg	10.7

Frequency response measured 100W (28.3V) at 1m in a closed enclosure of 100 litre in an anechoic chamber incl. 2nd and 3rd harmonic distortion raised 20dB.



Recommended reflex enclosure:

50L/54Hz, -3dB=63Hz, BRD=120mm/137mm long

65L/49Hz, -3dB=57Hz, BRD=130mm/153mm long