

Features:

- 90dB sensitivity 1W/1m
- 120W + 60W Power handling
- 1.5" + 1.5" copper voice coil
- Single point source providing coherent wave front
- 91° conical dispersion
- Optimal for compact 2-way systems

SPECIFICATIONS

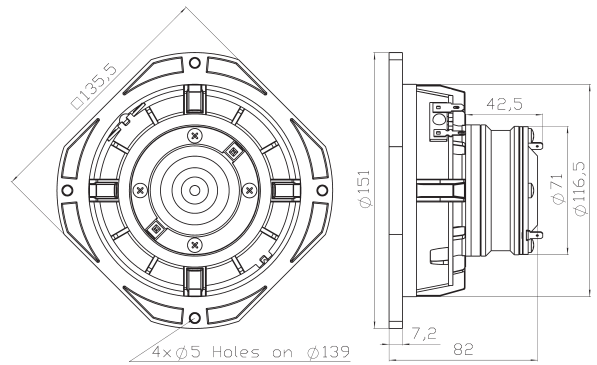
APPLICATION	Transducer		
Nominal impedance	Ohm	16/16	
Power handling AES noise	W	120	
LOW FREQUENCY UNIT			
Sensitivity (1W/1m)	dB	91	
Frequency response	Hz	80 - 30000	
Voice coil diameter	mm	38 (1.5")	
Voice coil material		Cu	
Voice coil winding depth	mm	12	
Magnet gap depth	mm	5	
Basket		Cast Aluminum	
Voice coil inductance Le	mH	0.45 (16 Ohm)	
THIELE - SMALL PARAMETERS			
Resonance frequency	Fs	Hz	138
DC resistance	Re	Ohm	12.2
Mechanical Q factor	Qms		3.4
Electrical Q factor	Qes		0.87
Total Quality factor	Qts		0.69
Equivalent volume	Vas	L	1.03
Moving mass	Mms	kg	0.009
Mechanical compl.	Cms	mm/N	0.14
BL factor	BL	Tesla m	10.7
Effective piston area	Sd	m ²	0.0074
Max. linear excursion	Xmax	mm	+ 3.5
SPECIFICATIONS HIGH FREQUENCY			
Power handling AES	W	60	
Peak Power	W	300	
Sensitivity (1W/1m)	dB	113	
Frequency range	Hz	1500 - 30000	
Recommended crossover	Hz	1900	
Voice coil diameter	mm	38 (1.5")	
Magnet material		Neodymium	
Flux density	T	2	
Voice coil material	Copper Clad Aluminum (2Layers in and outside of the VC)		
Voice coil former		Kapton™	
Diaphragm material		Polyester	

Recommended reflex enclosure:

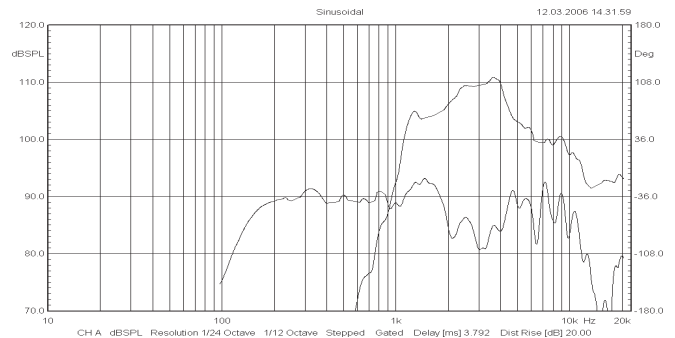
1,9L/104Hz, BRD=30mm/77mm long

3,8L/90Hz, BRD=40mm/86mm long

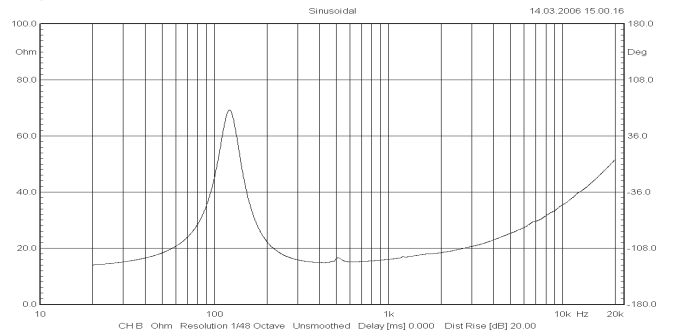
Closed enclosure 1 - 4 Litre



Frequency response measured 1W (2.83V) at 1m in a vented enclosure of 3 litre.



Impedance - 16 Ohm driver



MOUNTING INFORMATION

Overall diameter	mm	135 x 135
Mounting holes diameter	mm	4 x 5.3
Bolt circle diameter	mm	139
Baffle cut-out diameter	mm	117
Overall depth	mm	82
Net weight	kg	0.98