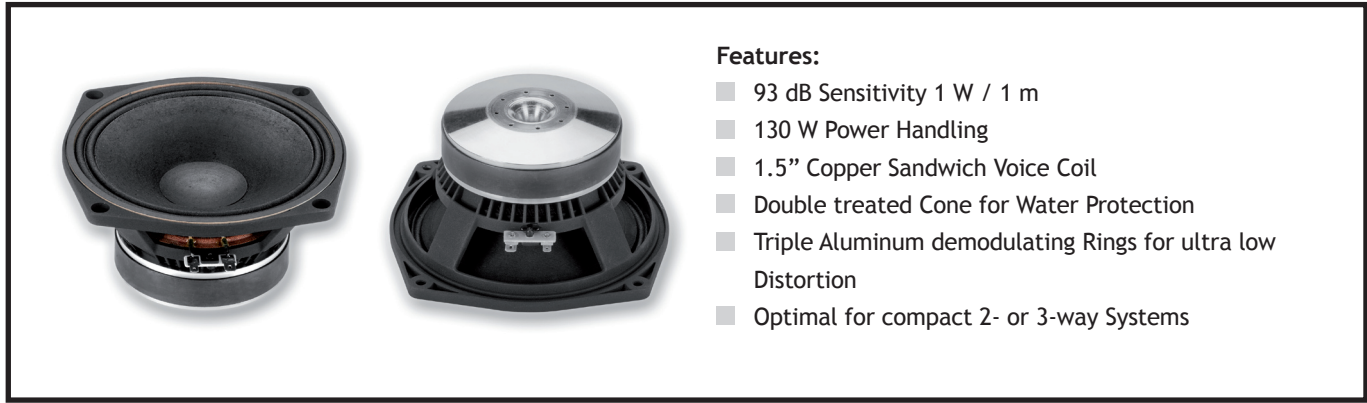


6S117

Ultra Low Distortion Low Midrange Driver

Ultra low distortion series

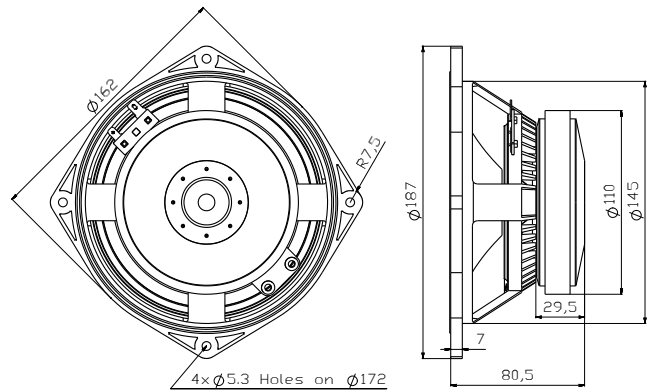


Features:

- 93 dB Sensitivity 1 W / 1 m
- 130 W Power Handling
- 1.5" Copper Sandwich Voice Coil
- Double treated Cone for Water Protection
- Triple Aluminum demodulating Rings for ultra low Distortion
- Optimal for compact 2- or 3-way Systems

SPECIFICATIONS

APPLICATION	Low-middle	
Nominal impedance	Ohm	8 or 16
Power handling AES noise	W	130
Sensitivity (1 W / 1 m)	dB	93
Frequency response	Hz	80 - 3500
Voice coil diameter	mm	38
Voice coil material		Cu
Voice coil winding depth	mm	15
Magnet gap depth	mm	5
Basket		Cast Aluminum
Effect. diaphragm diameter	mm	135



Frequency Response measured 100 W (28.3 V) at 1 m in a closed enclosure of 11 litre in a closed box incl. 2nd and 3rd harmonic distortion raised 10 dB.

THIELE-SMALL PARAMETERS			
Resonance frequency	Fs	Hz	80
DC resistance	Re	Ohm	11.4
Mechanical Q factor	Qms		3.3
Electrical Q factor	Qes		0.49
Total quality factor	Qts		0.43
Equivalent volume	Vas	L	10.4
Moving mass	Mms	kg	0.011
Mechanical compl.	Cms	mm/N	0.36
BL factor	BL	Tesla m	11.3
Effective piston area	Sd	m ²	0.0143
Max. linear excursion	Xmax	mm	+/-0.5
Voice coil inductance	Le1k	mH	0.64
	Le10k	mH	0.42

MOUNTING INFORMATION		
Overall diameter	mm	162
Mounting holes diameter	mm	4 x 5.3
Bolt circle diameter	mm	172
Baffle cut-out diameter	mm	146
Overall depth	mm	80.5
Net weight	kg	1.61

